

//DATASHEET

**SALTO XS4 Escutcheon** |  
networked electronic locking systems:

The SALTO XS4 ONE escutcheon is a revolutionary stand-alone electronic lock thanks largely to the level of technology packed inside that brings together the convenience of an offline point -- easy installation and no wires – with virtually the same kind of power and performance of an online point.

**XS4 ONE**  
**EUROPEAN ESCUTCHEON**  
Ex7

**SALTO**  
inspired**access**



**XS4**  
by S A L T O

## NETWORKED ELECTRONIC ESCUTCHEONS

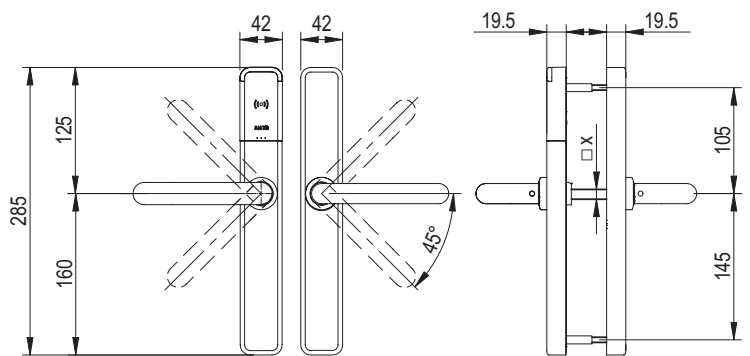
### XS4 ONE FOR EUROPEAN MORTISE LOCKS

The SALTO XS4 ONE is the evolution of the Original model with a built-in, totally new reader available in two colours. It includes the latest electronic components in order to warranty a future proof feature compatibility

The XS4 ONE version is specially designed to fit most Euro profile doors, even narrow profile framed doors. This version also works with the majority of European mortise locks and cylinders.

#### XS4 E40: NARROW BODY VERSION

#### EX70 XS4 ONE NARROW BODY VERSION Ex7



#### MAIN FEATURES:

- Fully integrated with the SALTO XS4 platform.
- Virtual network capable through SALTO Virtual Network technology.
- ID technologies available: DESFire, DESFire EV1, Mifare Classic, Mifare plus, Mifare Ultralight C and Bluetooth Smart.
- Reader available in 2 different colours: Black and white.
- 6 different escutcheon finishes available
- Available in wireless version for wireless real-time control\*.
- Door status detector to monitor intrusions or door left open status (wireless escutcheons only).
- Compatible with DIN mortise locks, European mortise locks and narrow style mortise lock.
- Compatible with European profile cylinders and Swiss profile cylinders.
- Mechanical override with audit trail facility available.
- High security protection via high resistance, hardened anti-drill plates to protect wiring and reader area. Additional protection provided by hardened axes and floating steel balls in the handle area.
- Electronic privacy function through thumb turn or button on the inside.
- IP56 compliant (external escutcheon)\*.
- Fire resistant EN1634 compliant Ei120 EI 120 Fire Resistant.

#### MECHANICAL ASPECTS:

- Dimensions: 285mm x 42mm x 19.5mm.
- Weight: 1.5kg.
- Handle turning angle: 45°.
- Door thickness compatible: 30mm to 115mm.
- Distance from the handle to the cylinder: 47mm to 110mm.
- Handle clutch mechanism.
- Inside always allows free egress (anti panic in combination with lock).
- Concealed fixing screws for greater security and improved aesthetics.
- Body and escutcheon made of steel.
- Handle fixed by Steady Fix system (patented).
- Handles compatible: 16mm Ø, 18mm Ø.
- High security through hardened high resistance anti-drill plates to protect wires and reader area and additional extreme protection through hardened axes and floating steel balls in the handle area.

#### MORTISE LOCK & CYLINDER COMPATIBILITY:

- DIN Locks
- European Locks
- Metal millwork
- European cylinders
- Swiss cylinders
- Some tubular latches

#### SQUARED SPINDLE COMPATIBILITY:

- 8mm & 9mm.
- 7.6mm split, 8mm split, 9mm split.

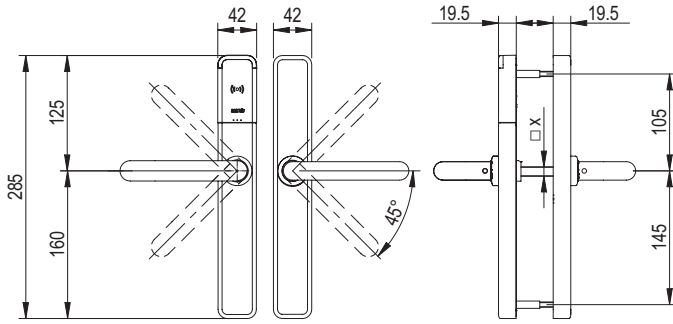


\*Under development

## XS4 E40: MODELS

### MODEL 50:

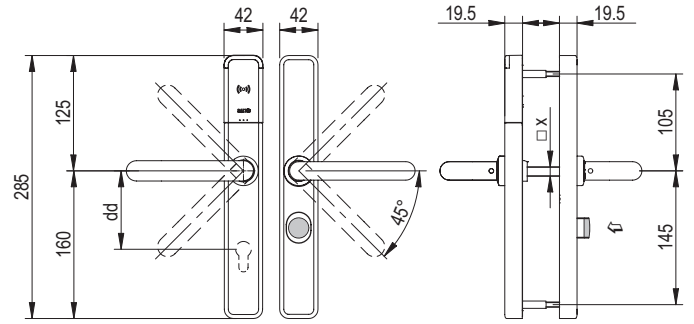
2 handles any type.



### MODEL 57:

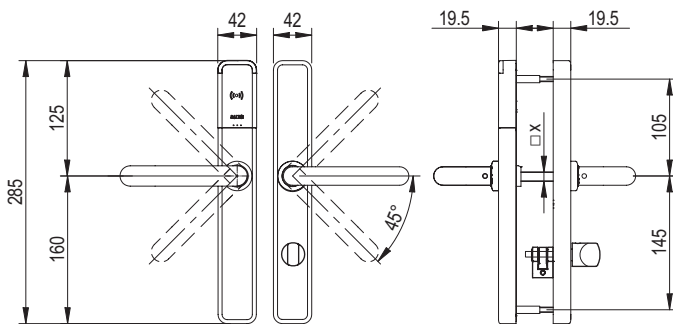
2 handles any type.

- Outside cylinder cut out.
- Electronic “do not disturb” system (Not available in self-programmable).



### MODEL 51:

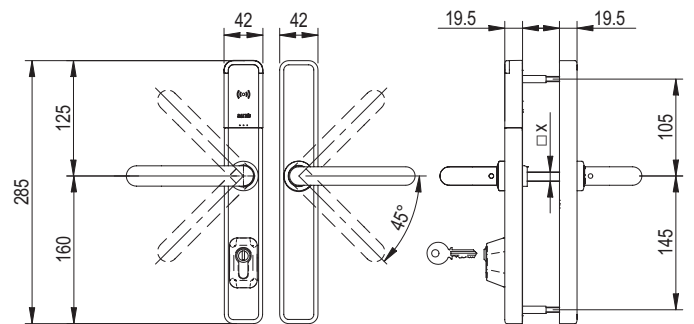
2 handles any type.  
Inside thumbturn.



### MODEL P0:

2 handles any type.

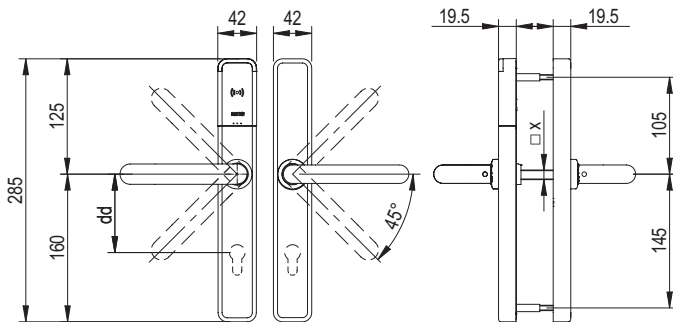
- Built in mechanical override with audit.  
(Ex4P0 reference: Euro profile cylinder 30-10).



### MODEL 52/53/54:

2 handles any type.

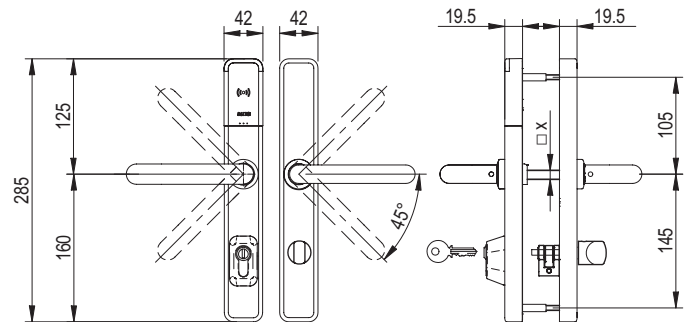
Inside (models 52 / 53) / (models 54) Outside cylinder cut out.



### MODEL P1:

• 2 handles any type.

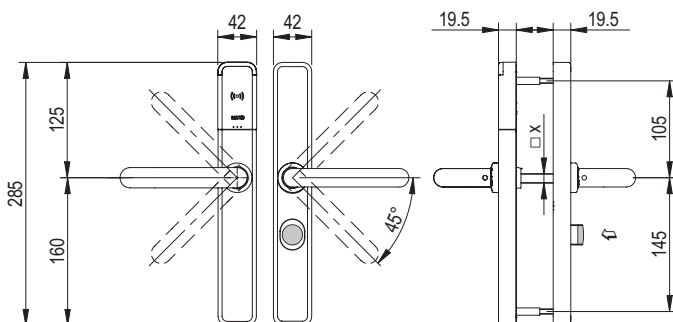
- Inside thumbturn.
- Built in mechanical override with audit.  
(Ex4P1 reference: Euro profile cylinder 30-10).



### MODEL 56:

2 handles any type.

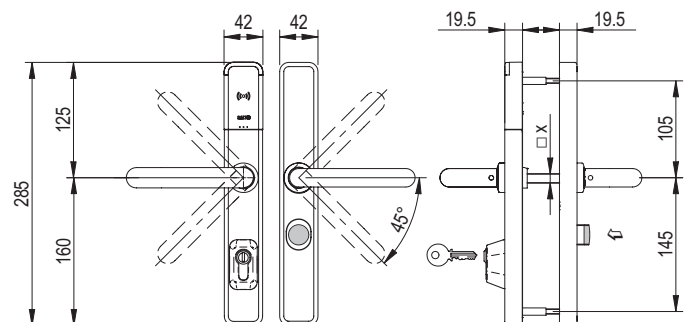
Electronic “do not disturb” system (Not available in selfprogrammable).



### MODEL P6:

• 2 handles any type.

- Electronic “do not disturb” system
- Built in mechanical override with audit.  
(Ex4P6 reference: Euro profile cylinder 30-10).



## ELECTRONIC MAIN FEATURES AND BENEFITS:

- Simple offline installation is possible on any type of door, including those with narrow frames.
- Virtual network capable through SALTO Virtual Network technology.
- Wireless real-time online capabilities through the SALTO wireless network\*.
- Door status detector to monitor intrusions or door left open status (wireless escutcheons only).
- User on card audit trailing capability for audit trailing via the SALTO Virtual Network (SVN).
- Contactless versions compatible with ISO 14443A, ISO 14443B and ISO 15693 (Vicinity) and covering a wide range of mainstream RFID brands such as DESFire, DESFireEV1, Mifare Classic, Mifare plus and Mifare Ultralight C allowing multi-application with third party systems using one card.
- SALTO XS4 ONE is compatible with NFC (Near Field Communication) technology which allows NFC enabled cell phones to act as contactless data carriers to open and control SALTO access controlled doors (HCE technology).
- All communications between the carrier and the electronic lock are encrypted and secured.
- Low battery power indication monitored through the SALTO Virtual Network (SVN) as low battery status information is written onto the carriers and passed to the software. Readings can be taken at the lock and passed to the software via PPD connection.
- Emergency opening via portable programming device (PPD).
- Non volatile memory (memory is not deleted, even if power fails).
- Office mode ("passage" setting) available for leaving doors in free access mode.
- Mechanical override with audit trail facility in some models.
- Firmware upgrade through PPD.
- DDA (Disability Discrimination Act) compliant (depending on handle type).

\*depending on the model

## AVAILABLE LOCK MODES:

- **STANDARD:** Locked at all times.
- **OFFICE:** Free passage ability.
- **TIMED OFFICE:** Free passage with automatic locking.
- **AUTOMATIC OPENING:** 8 pairs of "hands free" timed lock and unlocks per day with holidays.
- **AUTOMATIC OPENING + OFFICE.**
- **TOGGLE:** Present card to lock, present card to unlock.
- **TIME TOGGLE:** Present card to lock, present card to unlock depending on schedules.
- **EXIT LEAVES OPEN:** The lock remains unlocked after the inside handle is used.

## ACCESS CONTROL FEATURES:

	ROM	SVN (R&W)
Maximum number of users per door	1000	4 000 000
Maximum number of doors per system	16 000	65 000
Maximum events on lock audit	2.200	2.200
Timezones	30	1024
Timeperiods	20	256
Calendars in system	42	256
User groups	unlimited	unlimited
Zones in System	unlimited	unlimited
Management software	Pro Access ROM	Pro Access SPACE ProAccess & HAMS (available SQL)

**Note:** The XS4 One does not support selfprogrammable mode.

## ID TECHNOLOGIES:

- **MIFARE:** Mifare Classic, Mifare plus, Ultralight C, DESfire, Vicinity.
- **NFC:** Near Field Communication technology allows NFC enabled cell phones to act as contactless data carriers to open and control SALTO access controlled doors (HCE technology).
- **BLUETOOTH:** Allows users to use their smartphone as their door key.\*

## MIFARE:

## MIFARE DESFire

Mifare RFID contactless technology reads & writes information to contactless smart cards (RFID) compatible with standards, such as Mifare Classic, Mifare plus, DESFire, DESFire EV1 technologies or even Bluetooth Low Energy (BLE) technology. These technologies also allow for the updating of carriers via SALTO Virtual Network (SVN) technology.

- Fully integrated with the SALTO XS4 platform.
- 13.56MHz contactless RFID identification.
- ISO 14.443A, ISO 14.443B and ISO 15.693, Mifare, DESFire Compatible.
- Near Field Communication (NFC) compatible.
- Available key cards: 1Kbyte, 4Kbytes and 8 Kbytes depending on the technology.
- Available carriers: ISO 7810 Cards, fobs, bracelets, stickers, watches...
- Reusable key cards.
- SALTO Virtual Network (SVN) compatible\*.
- High security encrypted Proximity cards.
- Multi-application with other systems using the same card with different sectors.
- Customized issuing card through the SALTO Authorization Media software (SAM).
- Waterproof cards which can be customized.
- Upgradable: ROM, R&W systems available using the same hardware.

## RANGE OF RFID CREDENTIALS / KEYS AVAILABLE:



Contactless RFID  
Cards



Contactless RFID  
Fobs



Contactless RFID  
Silicone Bracelet



Contactless RFID  
Fobs Bracelet

## MOBILE KEY SOLUTIONS:

### mSVN SOLUTION:

With mSVN (Mobile SALTO Virtual Network) it's now possible to update cards remotely and without using a fixed update point. All an end-user needs is an NFC-enabled smartphone to update their DESFire EV1 credential using SALTO's JustIN mSVN App, thereby increasing the flexibility of an installation's security.



### MAIN FEATURES:

- **XS4 COMPABILITY:** XS4 Original RFID escutcheon range. Extensive range of escutcheon styles and sizes including Scandinavian, ANSI models and Wireless models (RFID models only).
- **SMARTPHONE:** Android minimum version: 2.3.3
- **SYSTEM REQUIREMENTS:** SALTO ProAccess SPACE software.
- **SMART KEY COMPABILITY:** DESFire EV1 (AES – 3DES encryption) (SALTO SAM Card required)
- **BLACKLIST** dissemination that increases security without the need to wire or visit doors.



### MOBILE USERS SOLUTION:

SALTO Bluetooth mobile via SALTO's JustIN Mobile app communicates securely via the Cloud and enables a user to receive their door key online, anytime and anywhere.



### MAIN FEATURES:

- **XS4 COMPABILITY:** XS4 RFID escutcheon range.
- **SSL:** Secure Socket Layer.
- **AES 128 bits** encryption opening procedures.
- **SMARTPHONE COMPABILITY:** iOS and Android devices.
- **SYSTEM REQUIREMENTS:** SALTO ProAccess SPACE software.



## FINISHES:



**IMW**  
Satin stainless steel  
and white reader



**IMB**  
Satin stainless steel  
and black reader



**IPW**  
Bright stainless steel  
and white reader



**IPB**  
Bright stainless steel  
and black reader



**PPW**  
Bright Brass (PVD)  
and white reader



**PPB**  
Bright Brass (PVD)  
and black reader



**PMW**  
Satin Brass (PVD)  
and white reader



**PMB**  
Satin Brass (PVD)  
and black reader



**IAW**  
Antique Brass  
and white reader



**IAB**  
Antique Brass  
and black reader



**NEW**  
Black  
and white reader



**NEB**  
Black  
and black reader



**BCW**  
BioCote  
antimicrobial finish  
and white reader



**BCB**  
BioCote  
Antimicrobial finish  
and black reader

## TECHNICAL DATA:

### CURRENT REQUIRED:

Models Ex7

- 3 alkaline LR03 AAA 1,5V. batteries optional FR03 lithium batteries
- Number of openings:
  - Contactless versions: Up to 40.000 depending on the RFID technology.

### ENVIRONMENTAL CONDITIONS:

- -20° / 60°.

### CERTIFICATIONS:

- Declaration of Comity CE
- Use of radio frequency spectrum**
  - ETSI EN 302 291-1 V1.1.1 (2005-07)
  - ETSI EN 302 291-2 V1.1.1 (2005-07)

### Electromagnetic Compatibility

- ETSI EN 301 489-1 (2011-09)
- ETSI EN 301 489-3 (2002-08)

### Security requirements

- EN 60950-1 (2007)
- Following the provisions of the directive

### IP CERTIFICATIONS: Outdoor Protection Standard

- IP56\* MODEL (XS4 standard model)

SOLID PARTICLE RESISTANT	LIQUID INGRESS RESISTANT
Quantity of dust ingress is not sufficient to interfere normal operation.	Water projected (12.5mm nozzle) against the enclosure from any direction for 3 minutes, 100 litres per minute, 100 kN/m <sup>2</sup> at distance of 3m, has no harmful effects.

## SALTO ACCESS CONTROL PLATFORM FEATURES:

SALTO Systems unique new networked escutcheons and cylinders can be used for a huge range of access control applications. It's the first RFID system that can be upgraded at any time.

You choose the level of security control you need. From mid-range ROM system up to the high performance data on card technology SALTO Virtual Network (SVN) system that allows you to control all the doors in an entire building or group of buildings from a single PC. And with the brand new XS4 online battery operated wireless lock system, you can experience real-time access control solutions without the need for wiring.

- Completely integrated into the SALTO Systems platform.
- Enables users to have stand-alone electronic cylinders, stand-alone electronic locks, stand-alone electronic glass door locks, emergency exit devices, locker locks and IP based online readers, all in the same system with SALTO Virtual Network capabilities, making it possible to update user card access plans easily.
- Stand-alone escutcheons can be upgraded to wireless system.
- Battery-powered.
- Easy to install, use and maintain.

\* Depending on the model

SALTO Systems reserves the right to modify technical specifications, designs and performance without notice. © SALTO SYSTEMS 2016